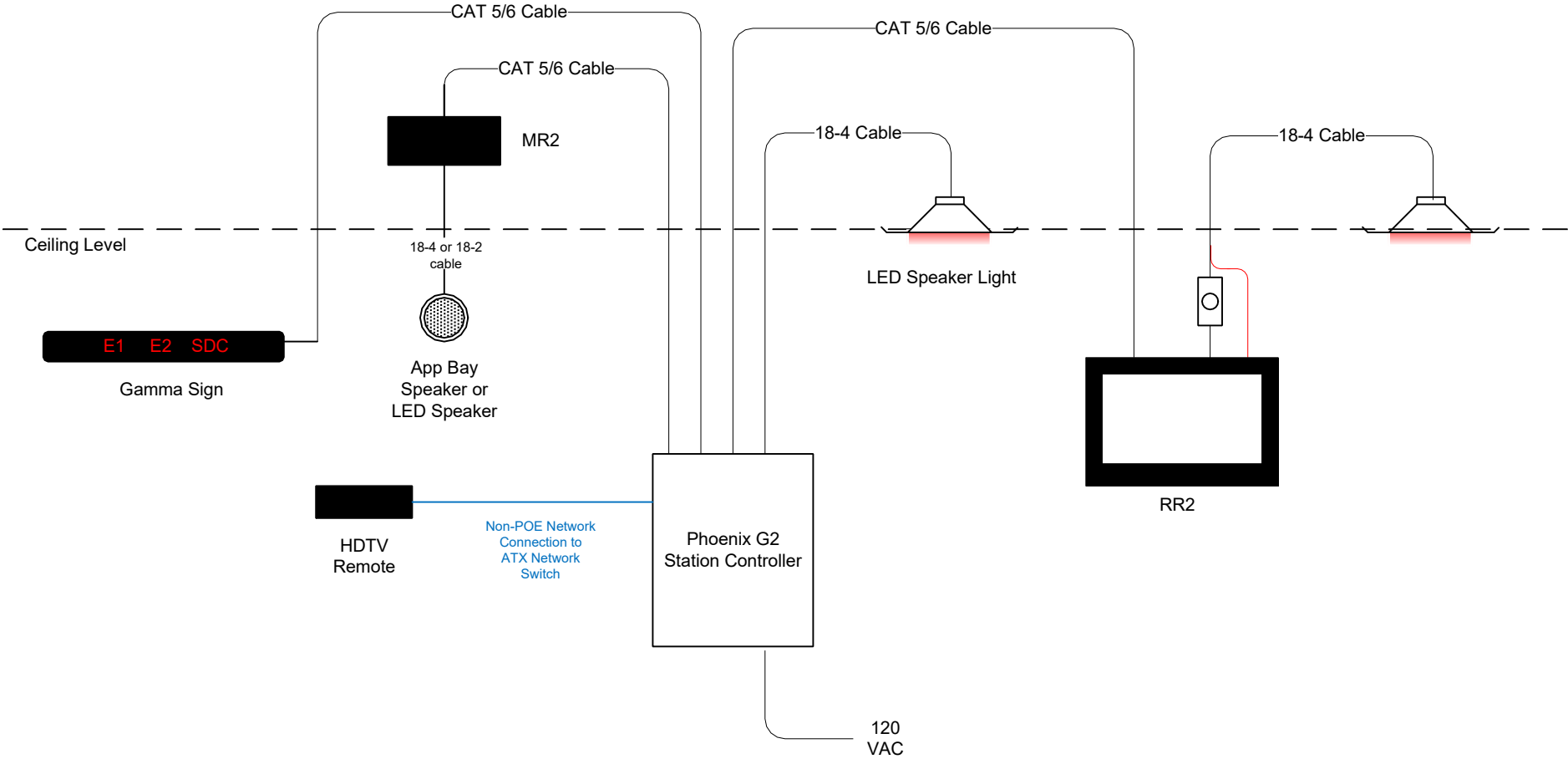
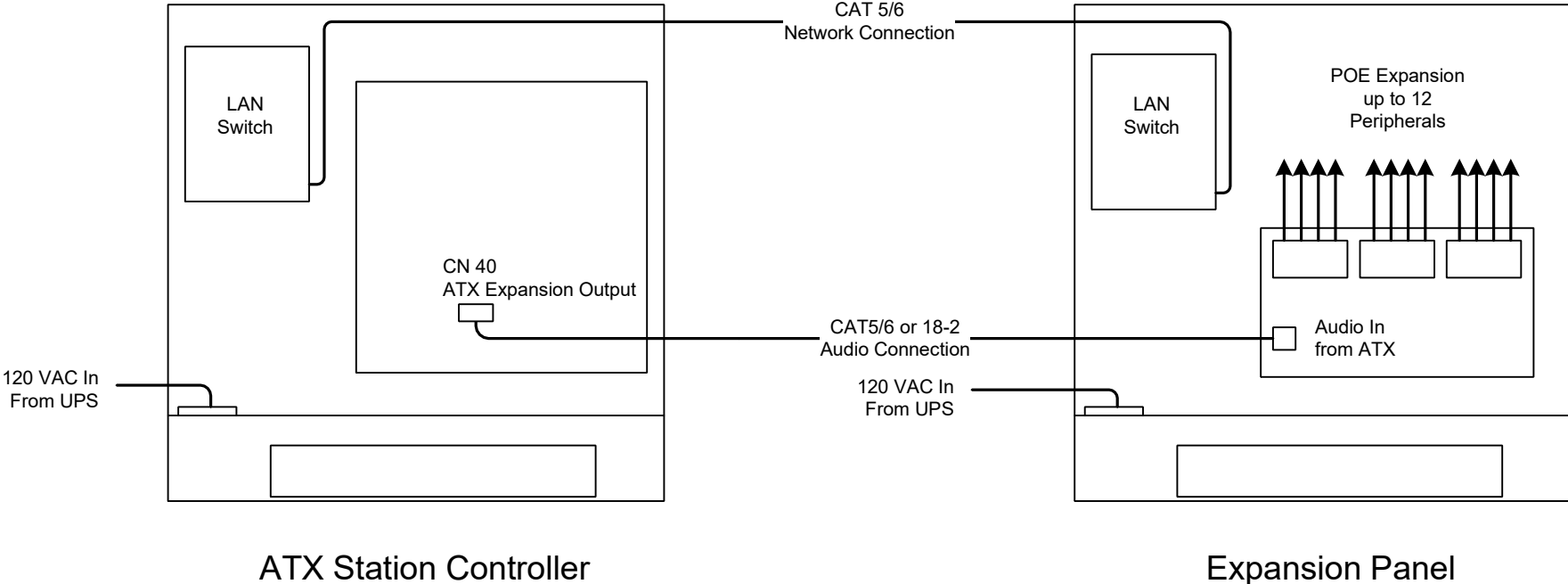


Phoenix G2 Cabling Overview

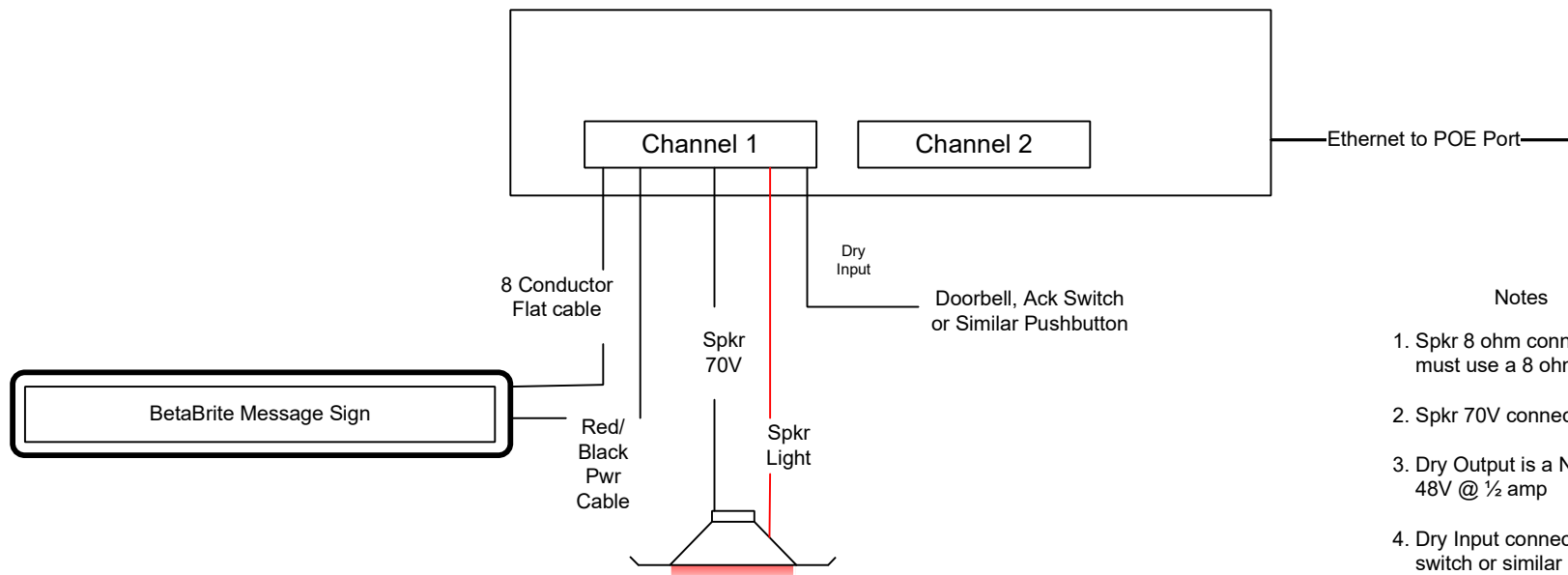
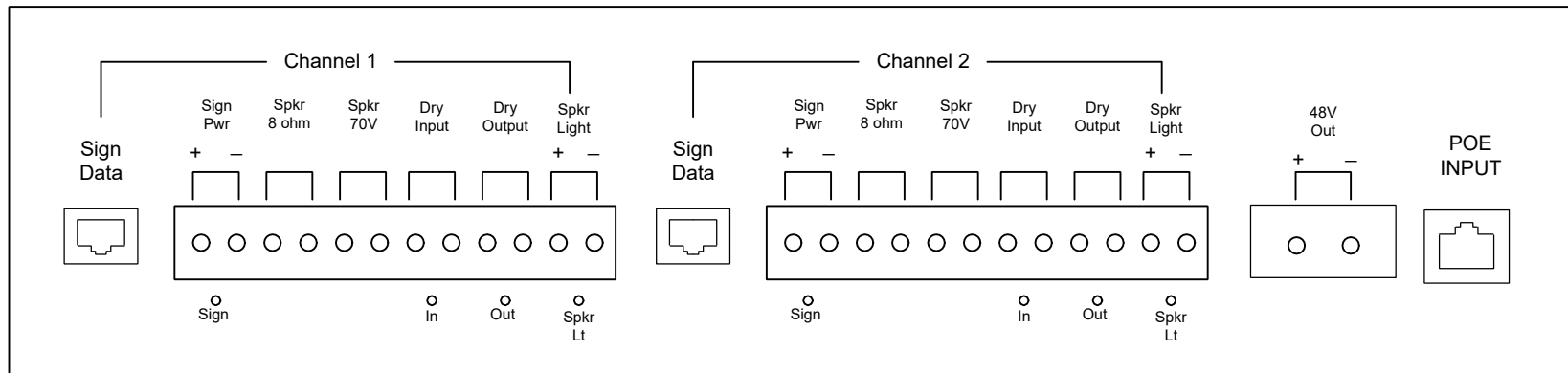
All cabling on conduit or free-run depending on contract.



ATX Station Controller to Expansion Panel Connections



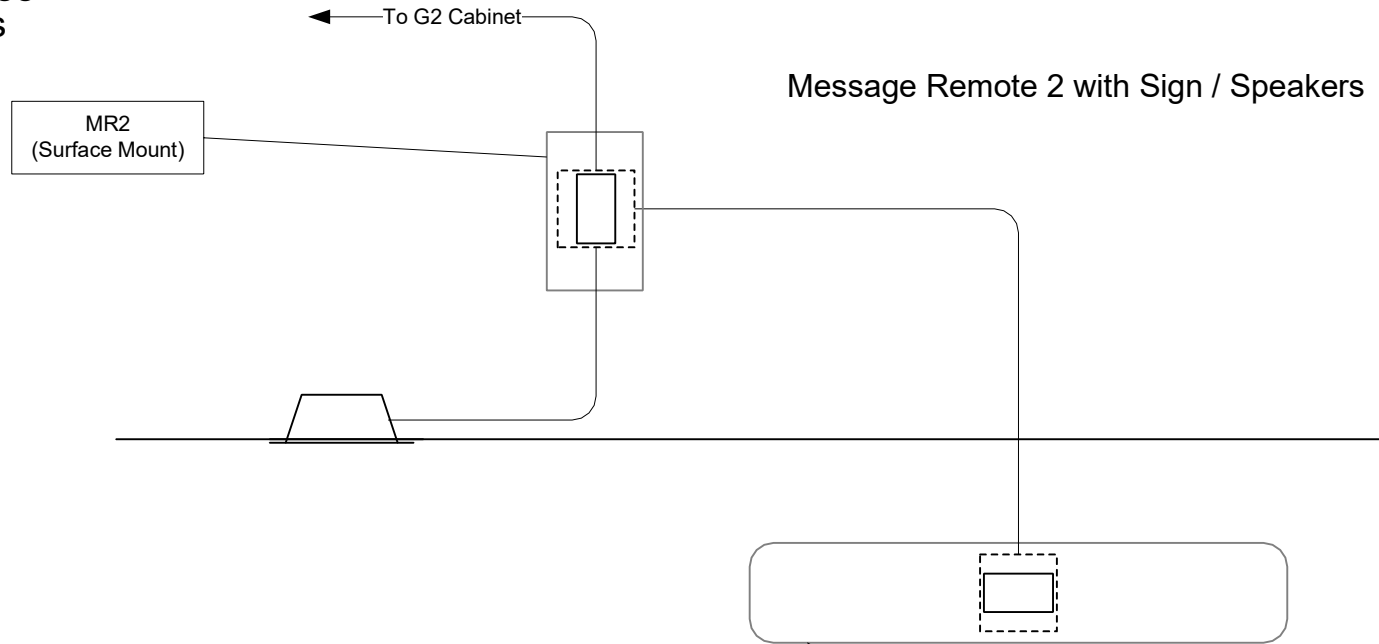
Message Remote 2



Notes

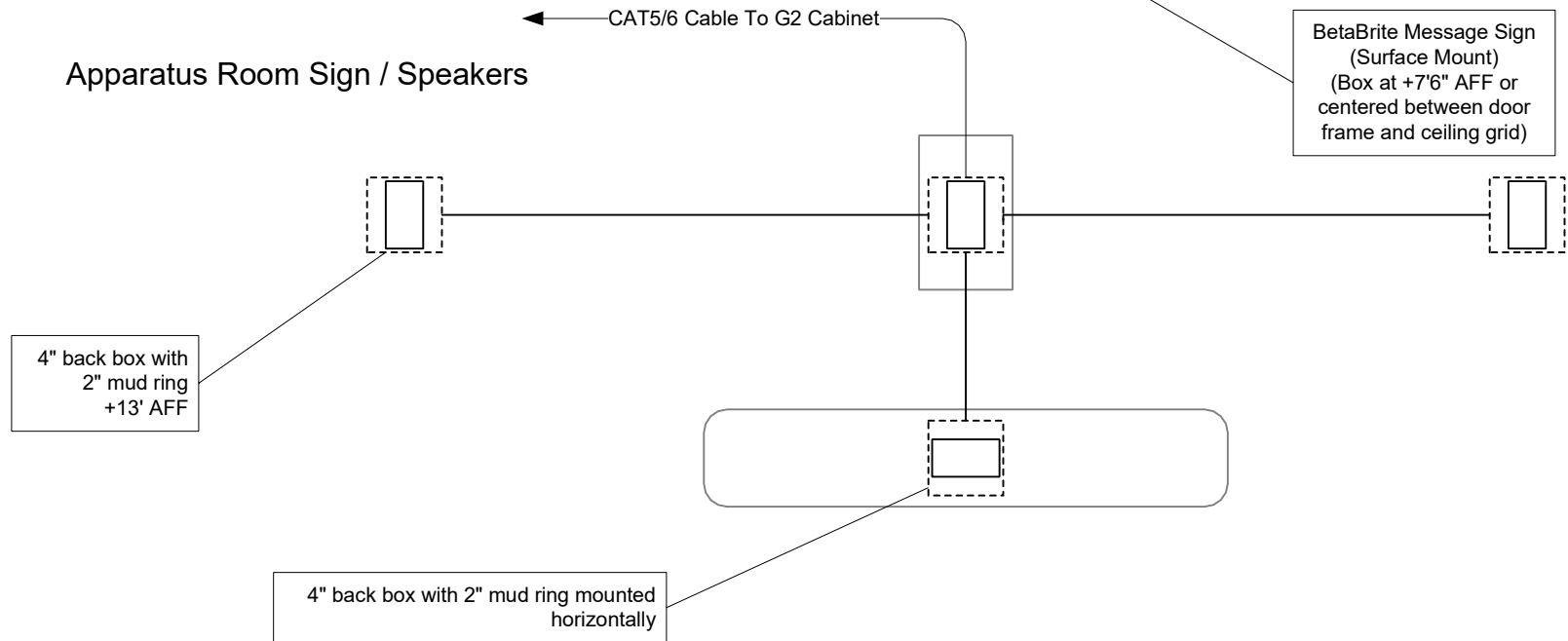
1. Spkr 8 ohm connection to 70v spkr must use a 8 ohm/70V xfmr..
2. Spkr 70V connection (MAX 15W)
3. Dry Output is a NO relay rated at 48V @ ½ amp
4. Dry Input connect is for a Doorbell, Ack switch or similar pushbutton.

Message Remote 2 Suggested Conduit Layouts



Message Remote 2 with Sign / Speakers

Apparatus Room Sign / Speakers

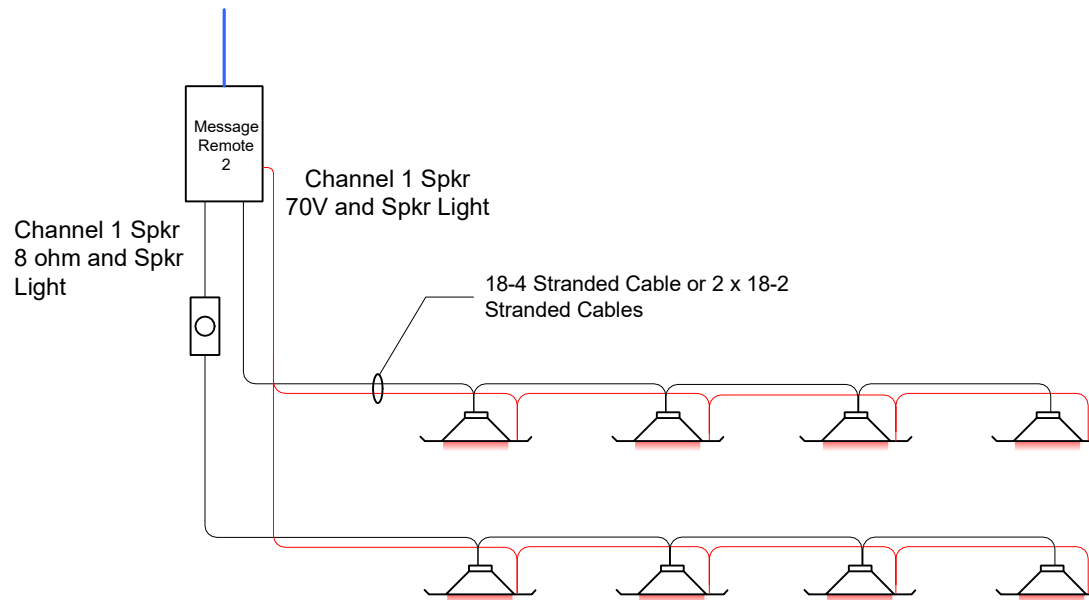
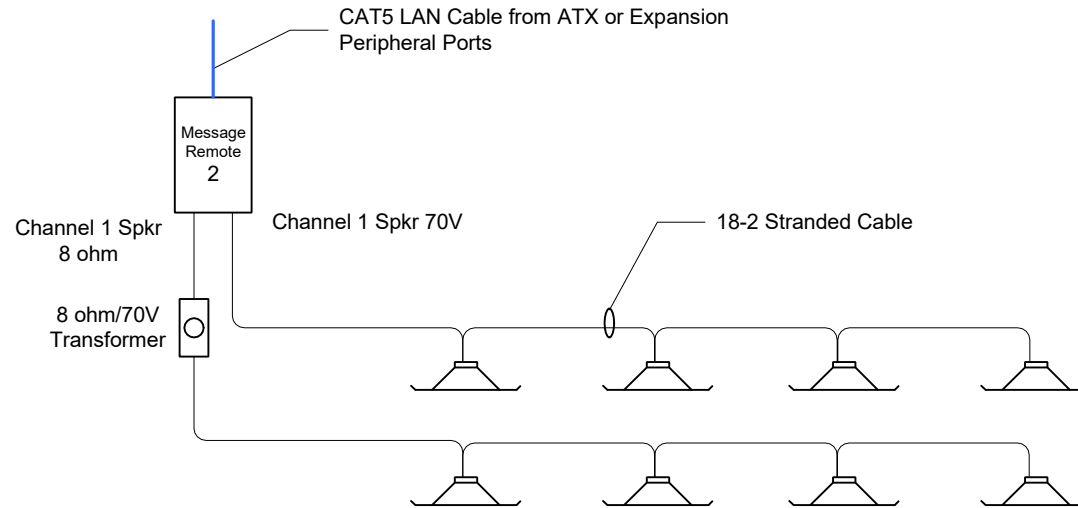


BetaBrite Message Sign (Surface Mount)
(Box at +7'6" AFF or centered between door frame and ceiling grid)

4" back box with 2" mud ring +13' AFF

4" back box with 2" mud ring mounted horizontally

Message Remote 2 to Speaker / LED Speaker Light Interconnection



US Digital Designs

Room Remote 2



The US Digital Designs Room Remote 2 (RR 2) is an alerting and text information display used with the Phoenix G2 Station Alerting System. The RR2 uses a multi-touch LCD display for control and information display.

When an alert is received for the assigned unit the RR 2 will turn on the display and show the alerted units, incident details as received from the CAD system and a turnout timer. The RR 2 will also turn on the internal amplifier and the Speaker Light output.

Integrated 10W Amplifier

The RR2 has an integrated 10 watt amplifier with 8 ohm and 70 volt outputs. The amplifier has a remotely adjustable level control and is integrated with the LED lighting output.

Line-level Output

A line-level output can be used to drive a customer-supplied audio amplifier in place of directly connected speakers.

Speaker Light Output

The Speaker Light output provides 48VDC output when the RR 2 is alerted.

Auxiliary Inputs and Outputs

The RR 2 has a normally-open auxiliary relay output and a dry contact digital input that can be used with the IO Rules function in the station controller.

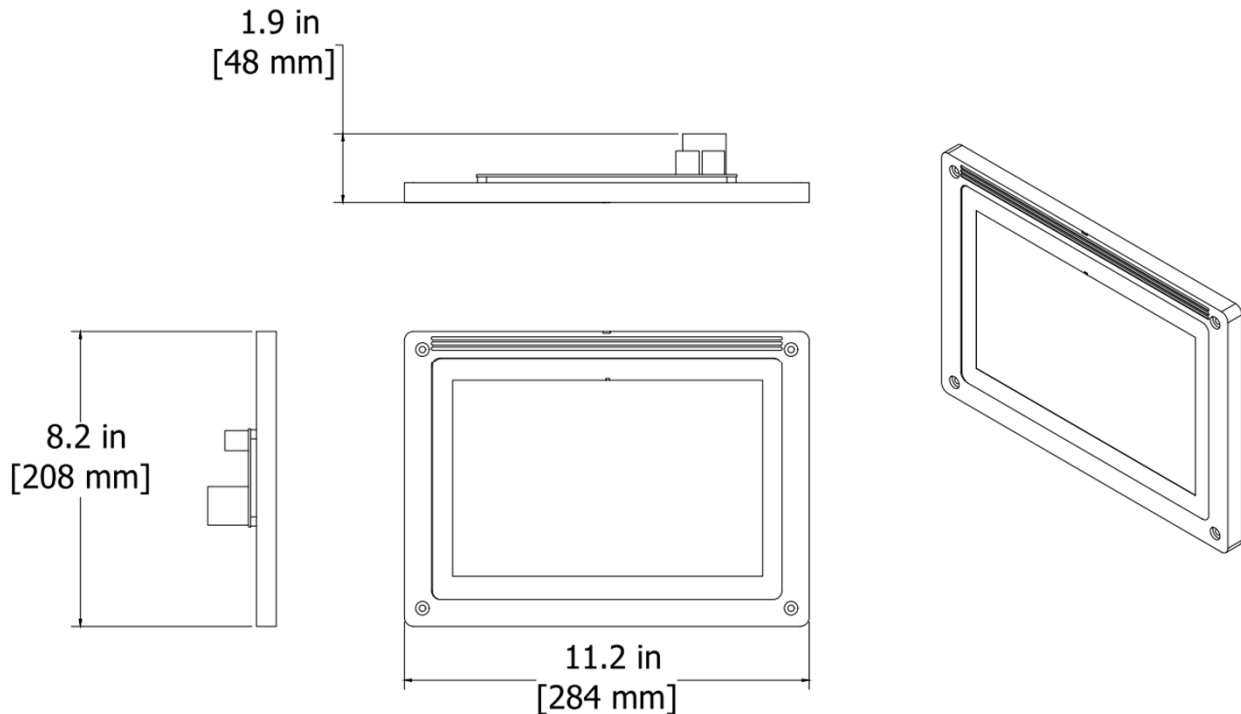
Indicators and Controls

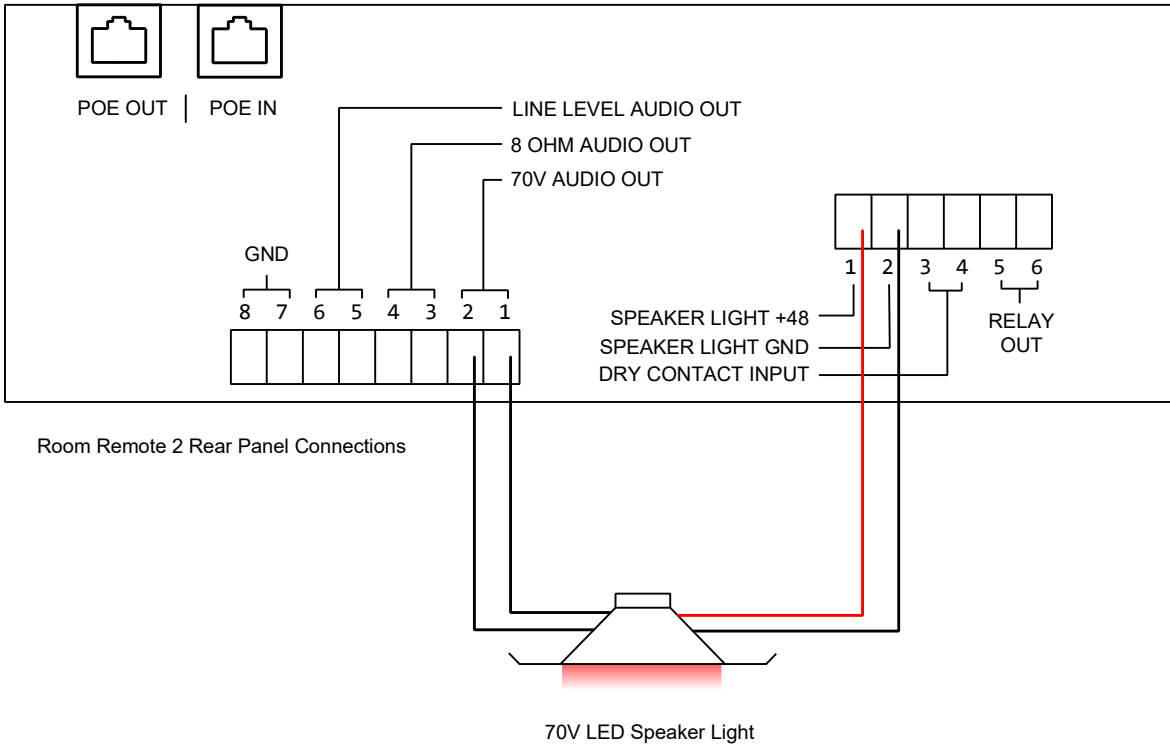
Select Monitor On or Off to locally control the speakers connected to the RR 2. Monitor Off mutes the speaker until an alert is received for an assigned unit. The local volume can be adjusted with the speaker slider.

Touch the Unit Control button to select the assigned units that will cause the RR 2 to be alerted.

A backlight timer turns off the backlight after a preset time and an alert or a finger touch will turn on the backlight. The backlight brightness can be adjusted using the display slider.

The Show IP Address label can be touched to display the RR 2's assigned IP address.





Rough-in

Install 4-gang steel electrical box into the wall. Run 3/4" conduit from box to accessible ceiling space for CAT6 network cable, speaker cable and optional accessory cabling.

Cabling and Termination

Run CAT6 cable from RR 2 location to ATX Station Controller or Expansion Cabinet location; terminate with RJ45 plug. Run 18-4 speaker light cable from RR 2 location to speaker.

POE Connection

The POE In jack is used to connect a RR 2 to an ATX, Expansion Cabinet, or IP Mixer using standard CAT6 network cabling. Ensure that the cable run is fully tested and qualified before connecting the equipment on either end. The POE Out jack can be used to connect a second RR2 to the ATX or Expansion Cabinet. This is intended ONLY for system expansion and systems should not be initially designed to use this feature.

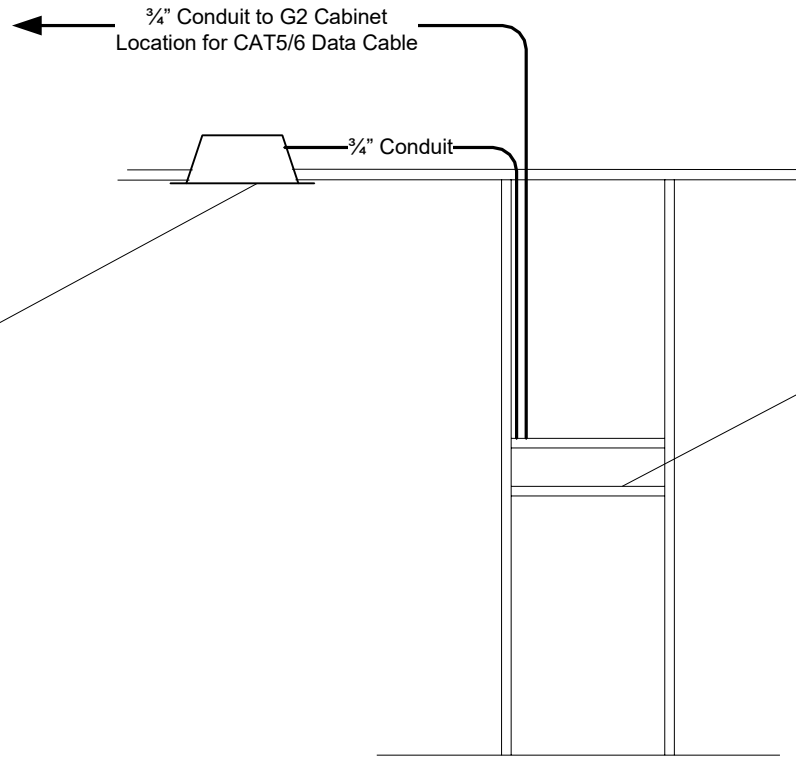
Speaker and Speaker Light Connection

The 70V and 8 Ohm Audio Out connections are used to connect speakers to the RR 2; use either the 70V or 8 Ohm connection, not both. The Speaker Light connections provide switched 48VDC to USDD-provided LED Speaker Lights.

Station Controller Configuration

The RR 2 device will be automatically discovered by the Station Controller once it is connected to the Controller through the network cable. In the SC Remote configuration web application select the Peripherals page to see all connected devices. Give the RR2 a name then select the Station Area Settings page. Add the RR2 to the desired Station Areas (create new Station Areas as necessary). See the full ATX Station Controller installation and configuration guide for the complete information on configuring the system.

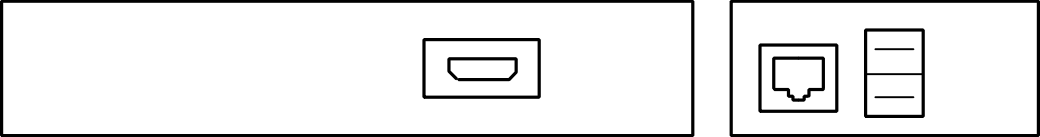
Room Remote 2 Suggested Conduit Layout



Speaker or Speaker Light. Use Bogen RE84 back box for hard ceiling or Bogen TB8 tile bridge for suspended ceiling.

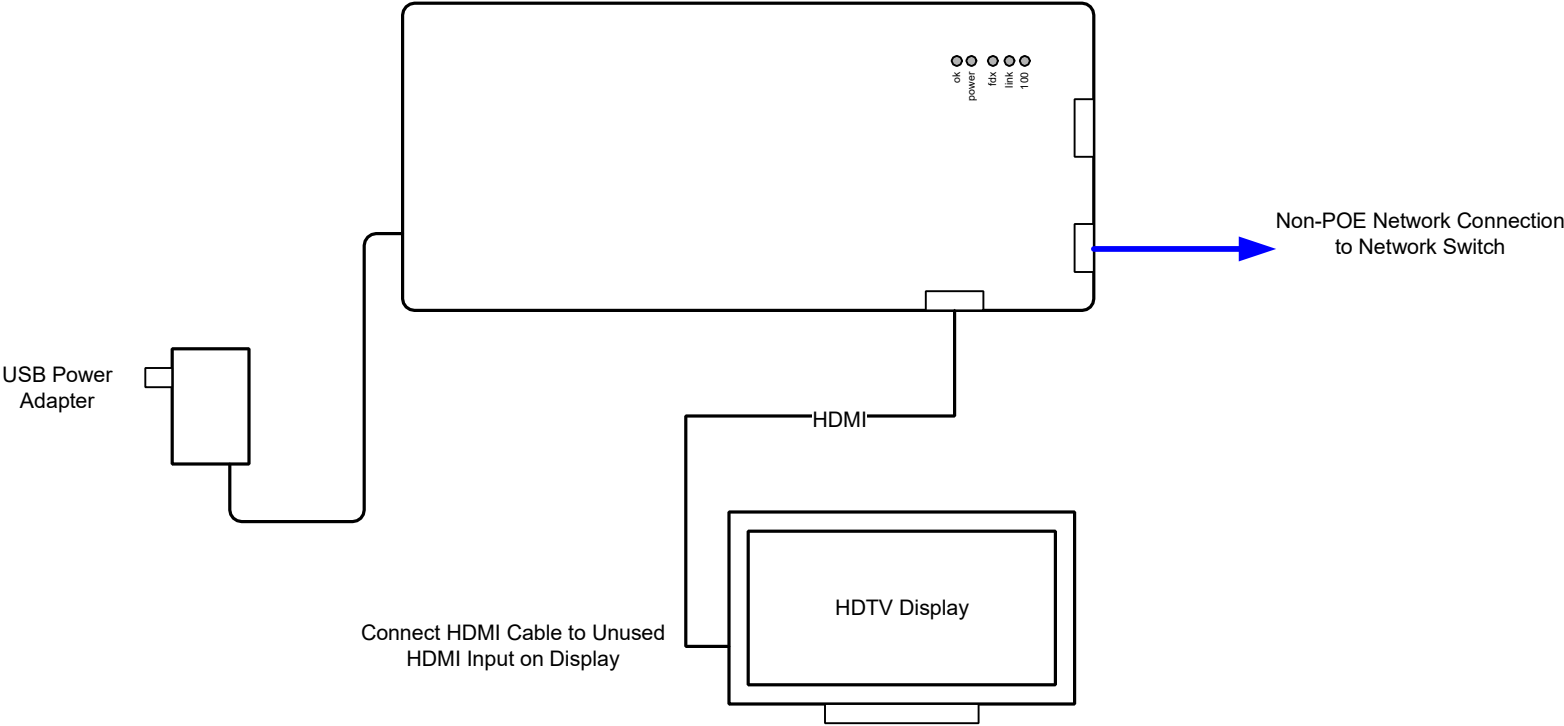
Rough Opening
Room Remote 2
8.2" x 11.2" x 1.9"
+48" AFF Typ
+64" AFF Max
Follow RR2
Install
Instructions

HDTV Remote



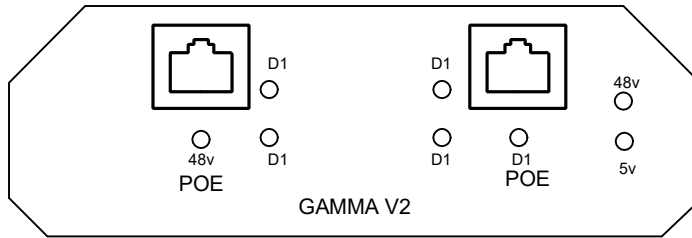
HDMI Output

Non-POE Network Connection

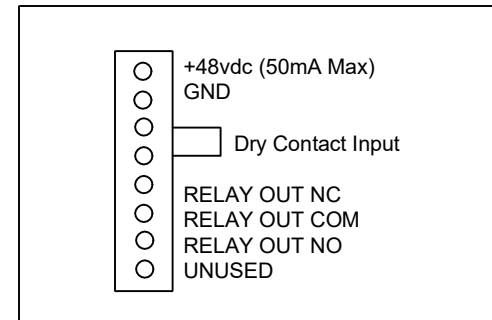


Gamma Sign V2

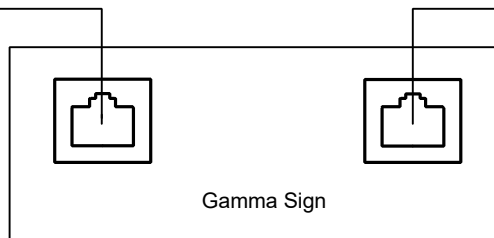
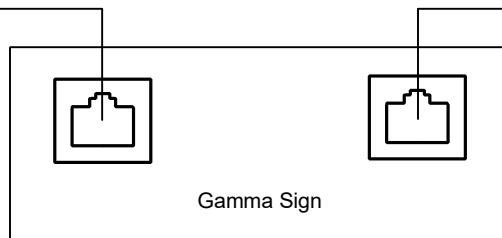
Gamma Sign Endcap



Gamma Sign Connector



To Additional Gamma Signs
(Up to 3 per POE Port)

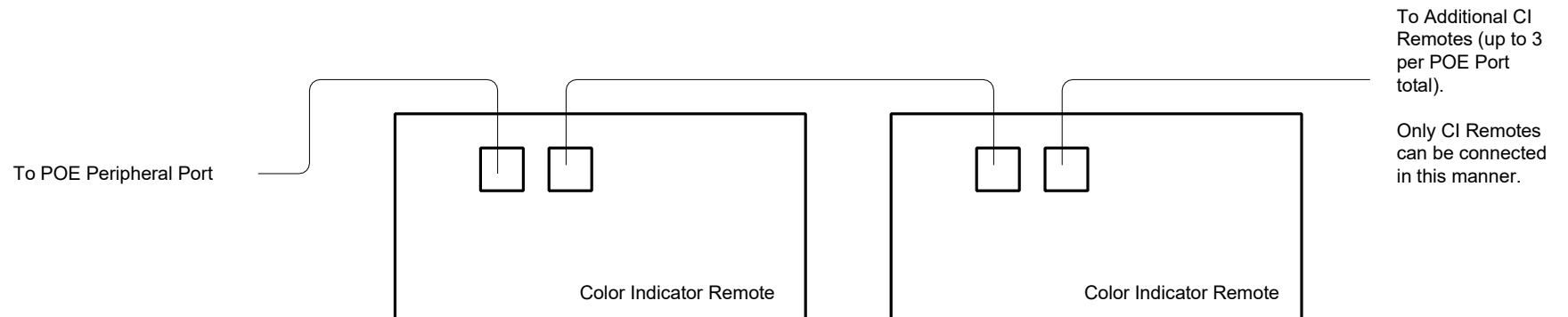
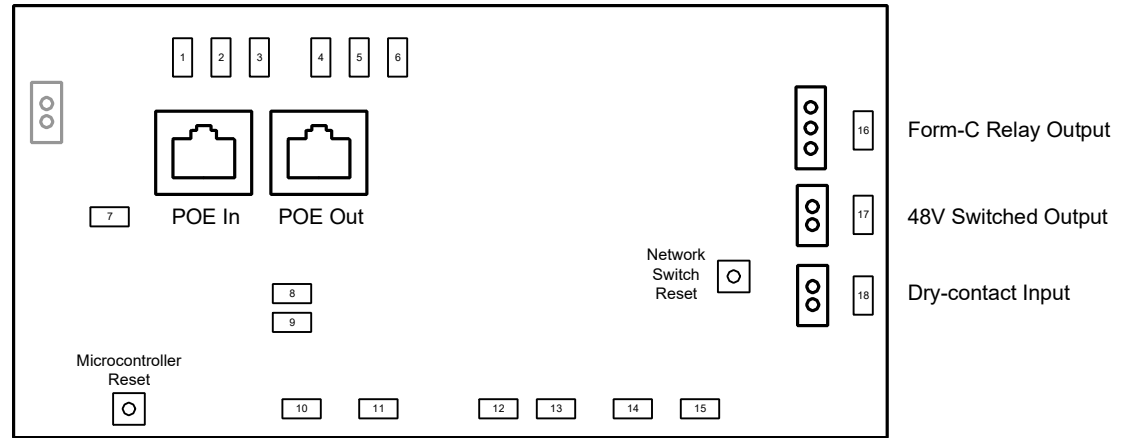


To ATX POE Peripheral
Port

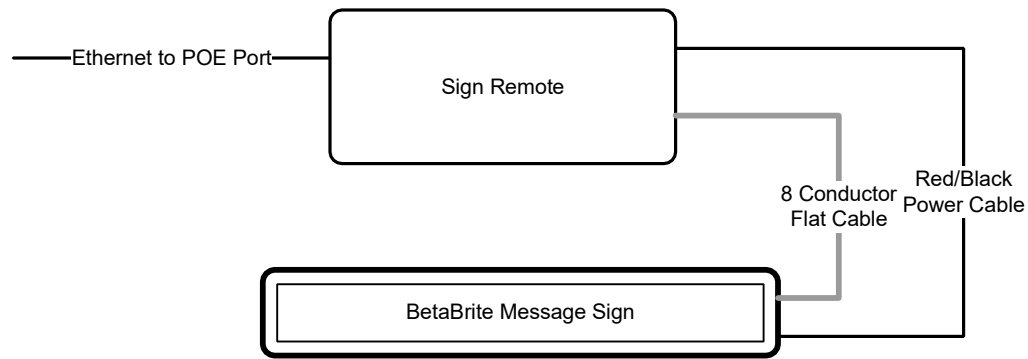
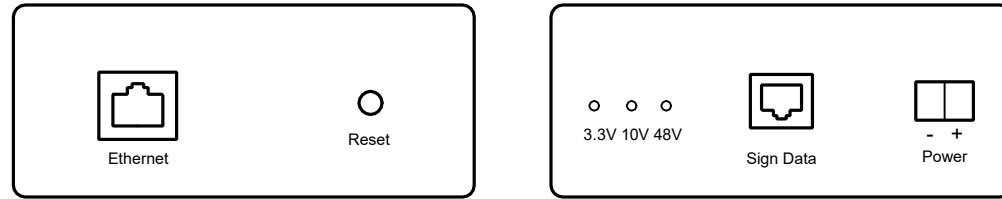
Color Indicator Remote

LED Functions

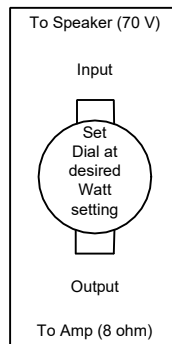
1. POE In - 48V Present
2. POE In - 100Mbps
3. POE In - Link / Traffic
4. POE Out - 48V Present
5. POE Out - 100Mbps
6. POE Out - Link / Traffic
7. 3.3V Present
8. Diag 2
9. Diag 1
10. Switch Intern - 100Mbps
11. Switch Intern - Link / Traffic
12. 2.5V A
13. 1.8V A
14. 3.3V
15. 1.8V C
16. Output 1 Active
17. 48V Output Active
18. Input 1 Active



Sign Remote



8 ohm/70V Transformer



ATX Station Controller



Relay outputs are rated for 1A @ 48VDC.

DO NOT CONNECT TO LINE VOLTAGE.

LED Functions

1. 9.6V Analog
2. ATX Mainboard - Link
3. ATX Mainboard - Network Traffic
4. Internal LAN Switch Power
5. thru 12. POE Out
13. 5V Analog
14. BetaBrite Power
16. thru 19. Output 1-4 Active
20. 5V
21. 3.3V
22. thru 24. Digital Input 1-4 Active
25. thru 28. Speaker Light 1-4 Active
29. Advantech Touchscreen Power
30. 48V
- 31.48V_C
- 32.48V_B
- 33.48V_A
34. thru 37. Audio Input 1-4 Activity
38. 18V_A
39. 18V_B
40. 30V
41. 9.6V
42. 12V

Fuses

- Time Delay 5mm x 200mm
 F1, F2, F3 250V 4A
 F4 250V 12.5A
 F5 250V 500mA

