

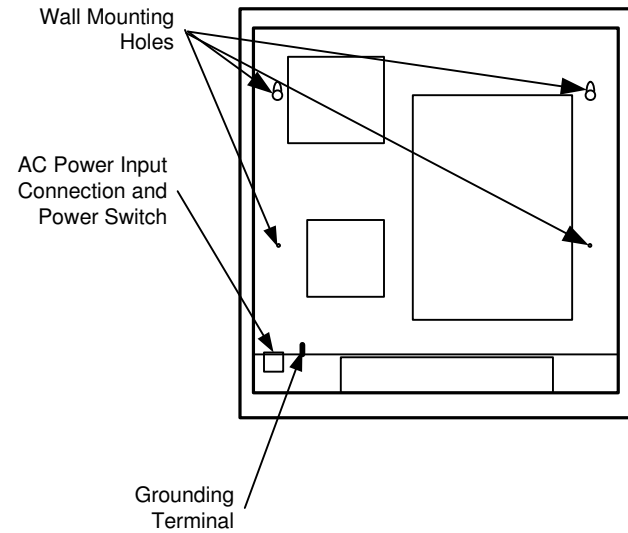
# US DIGITAL DESIGNS

## ATX Station Alerting Controller

Axiomtek Touchscreen



### Mounting, Power and Grounding



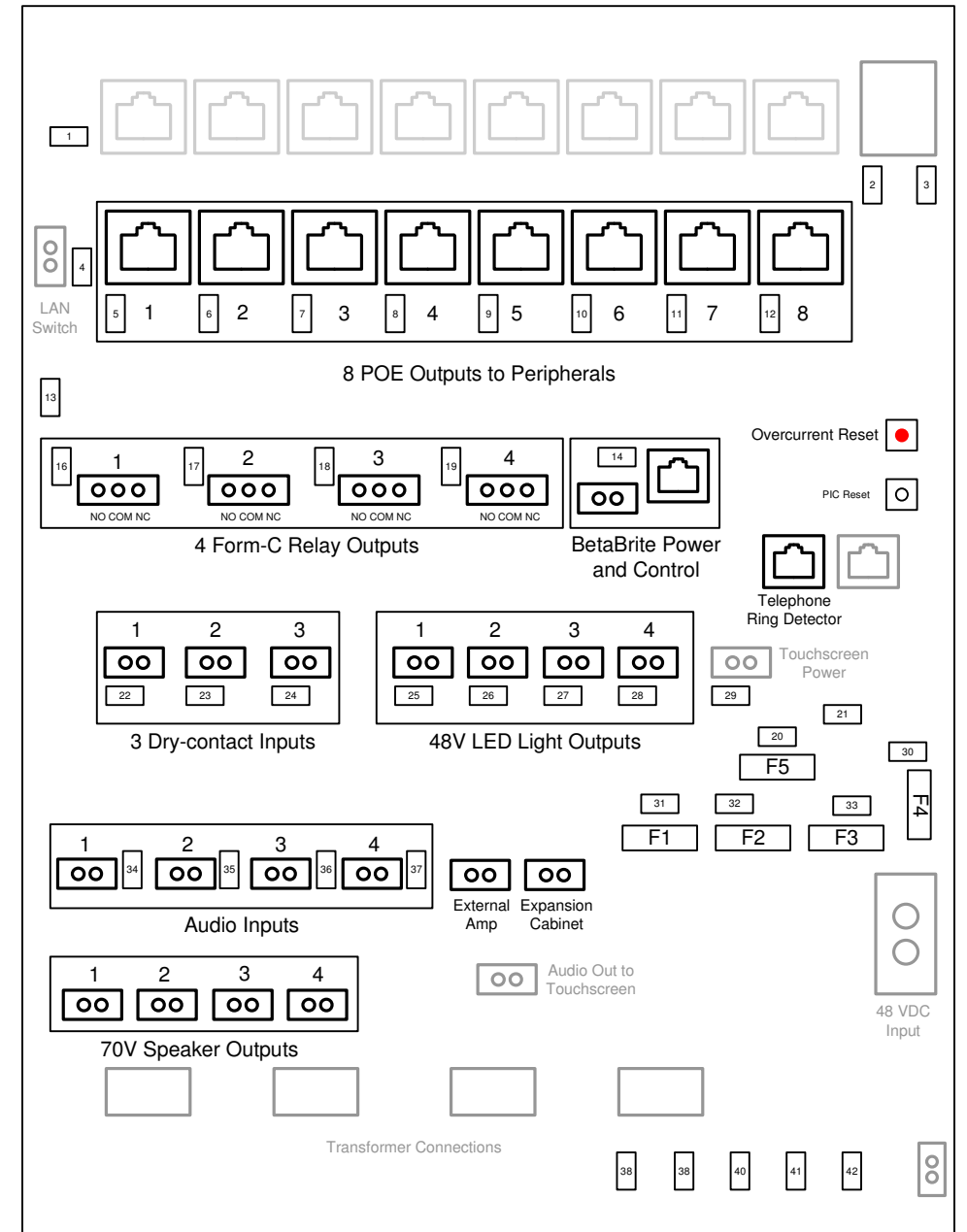
Mount the ATX cabinet securely to a sturdy wall in a clean, dry, conditioned area using 4 fasteners through the mounting holes. The cabinet can also be mounted to a 19" rack using optional mounting ears, or to a table top using the optional mounting plate.

Connect AC power to a UPS or UPS-protected outlet, and connect the grounding terminal to a suitable ground.

**NOTE: This equipment is a pluggable type, the socket-outlet shall be installed near the equipment and shall be easily accessible.**

### ATX Mainboard Connectors and LED Indicators

**DISCONNECT POWER FROM ATX BEFORE MAKING CONNECTIONS TO ATX MAINBOARD.**



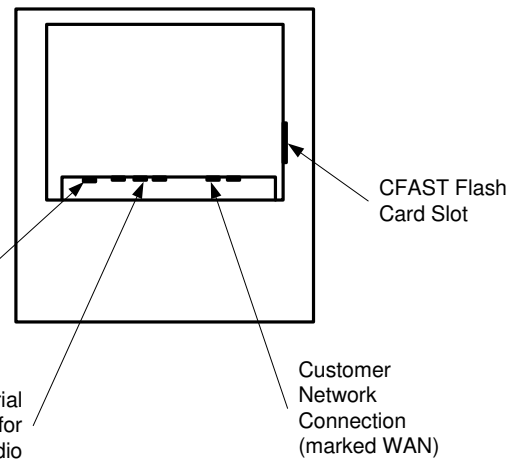
### LED Functions

1. 9.6V Analog
2. ATX Mainboard - Link
3. ATX Mainboard – Network Traffic
4. Internal LAN Switch Power
5. thru 12. POE Out
13. 5V Analog
14. BetaBrite Power
16. thru 19. **Output 1-4 Active**
20. 5V
21. 3.3V
22. thru 24. **Digital Input 1-4 Active**
25. thru 28. **Speaker Light 1-4 Active**
29. Touchscreen Computer Power
30. 48V Main Bus
31. 48V\_C – Speaker Lights 1-4
32. 48V\_B – POE 5-8
33. 48V\_A – POE 1-4
34. thru 37. **Audio Input 1-4 Activity**
38. 18V\_A – Audio Amps 1 & 2
39. 18V\_B – Audio Amps 3 & 4
40. 30V
41. 9.6V
42. 12V

### Fuses

- Time Delay 5mm x 200mm
- F1 250V 4A – 48V\_C
- F2 250V 4A – 48V\_B
- F3 250V 4A – 48V\_A
- F4 250V 12.5A – Main 48V Bus
- F5 250V 500mA – 9.6V Bus

### Network Connection ATX Front Door Inside



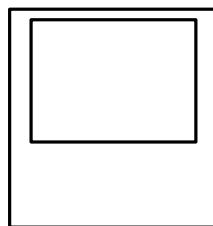
USB Connection to UPS for monitoring

COM1 Serial Connection for Data Radio

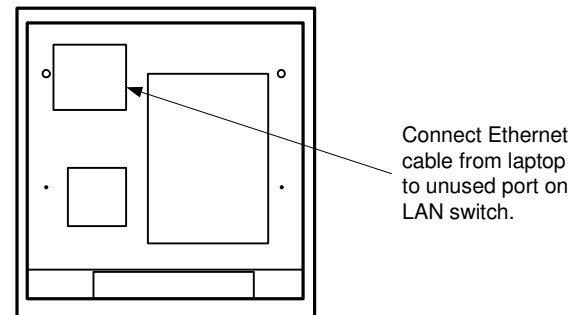
Customer Network Connection (marked WAN)

Make connections to the customer's Ethernet data network, data radio for secondary alerting path and UPS monitoring through USB cable to the UPS.

Set the IP Address details for the Station Controller on the customer's network using the Network tab on the Station Controller ATX touchscreen display. Default admin code is 33333.



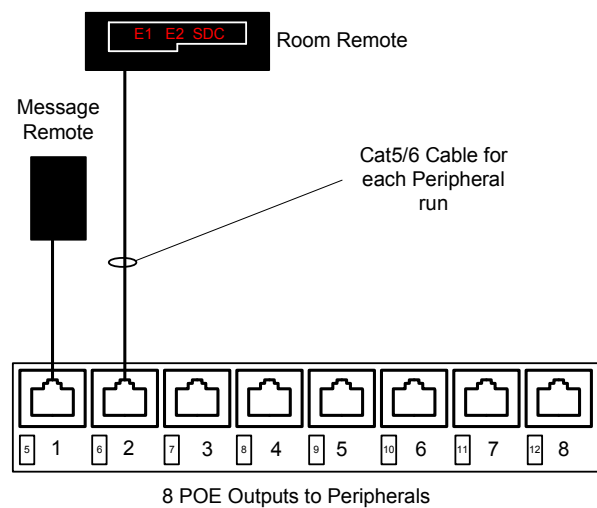
### Computer Connection for configuration and Diagnostics



Connect Ethernet cable from laptop to unused port on LAN switch.

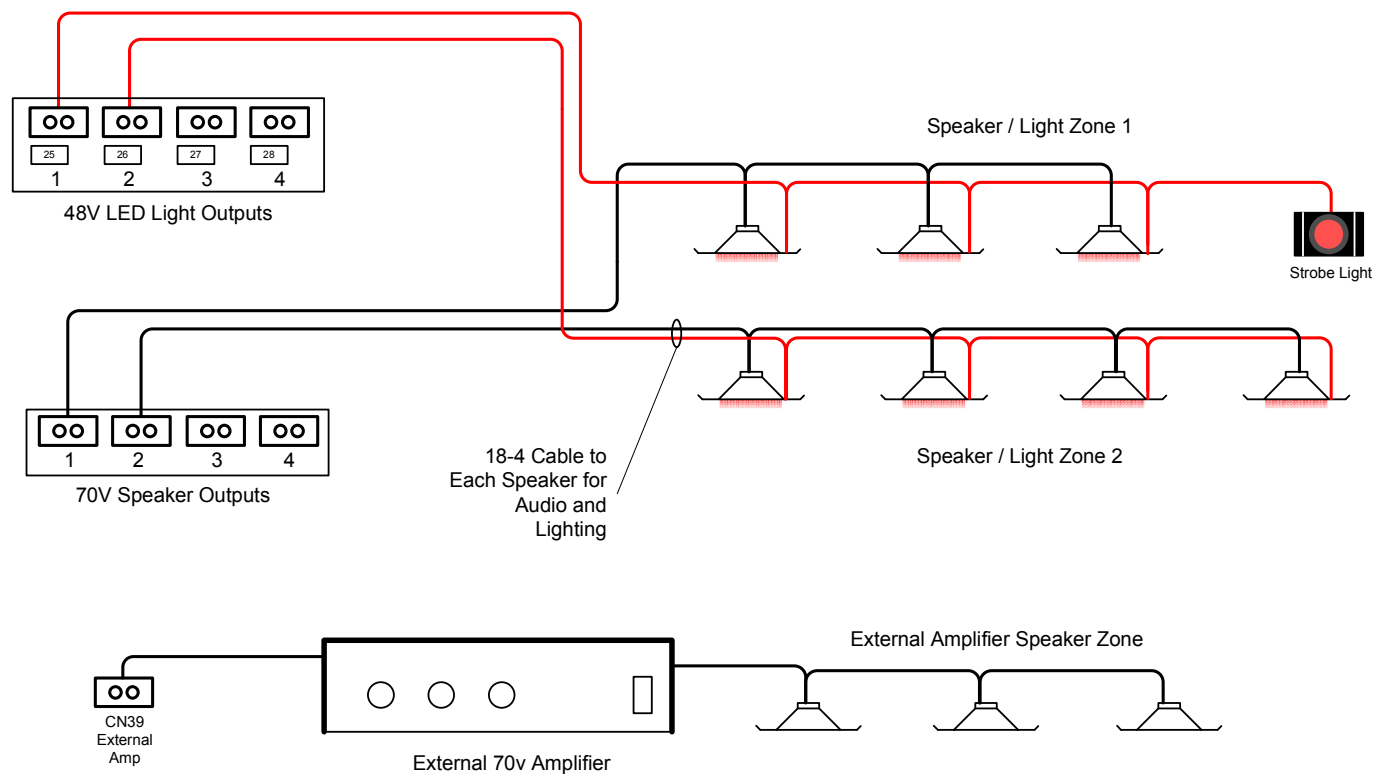
For system configuration and testing, connect a laptop to an unused port on the internal LAN switch. The system will issue an IP address to the laptop using DHCP. Connect to the Station Controller configuration web page on IP address 10.87.33.1. Follow configuration manual instructions for complete setup and testing.

**Peripheral Connections**

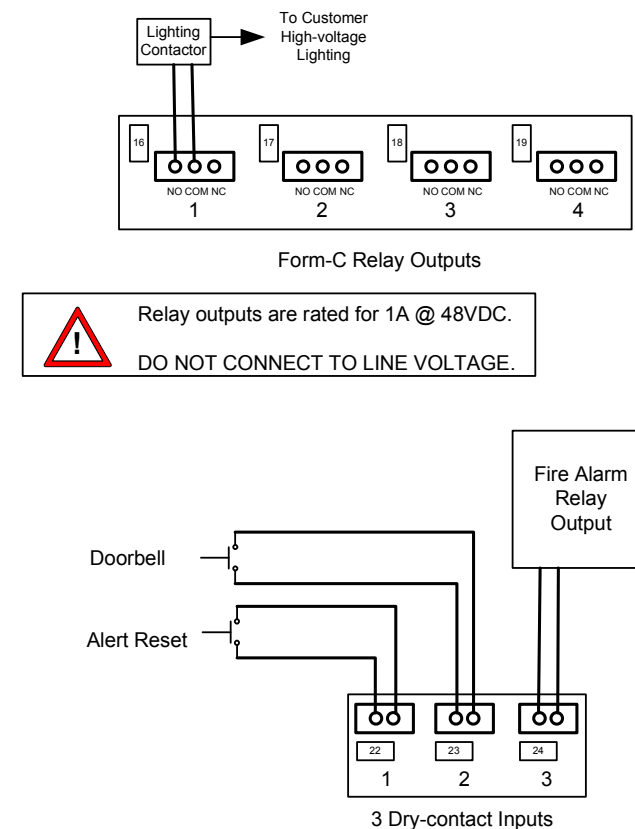


NOTE: All 4 Pairs in CAT5/6 Cable MUST be Terminated. Test all Cable Runs Prior to Powering On System.

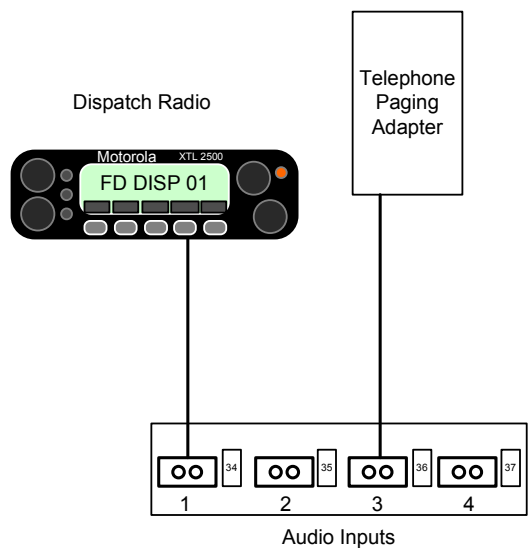
**Zoned Speakers and LED Speaker Lights**



**Auxiliary Input and Output Connections**

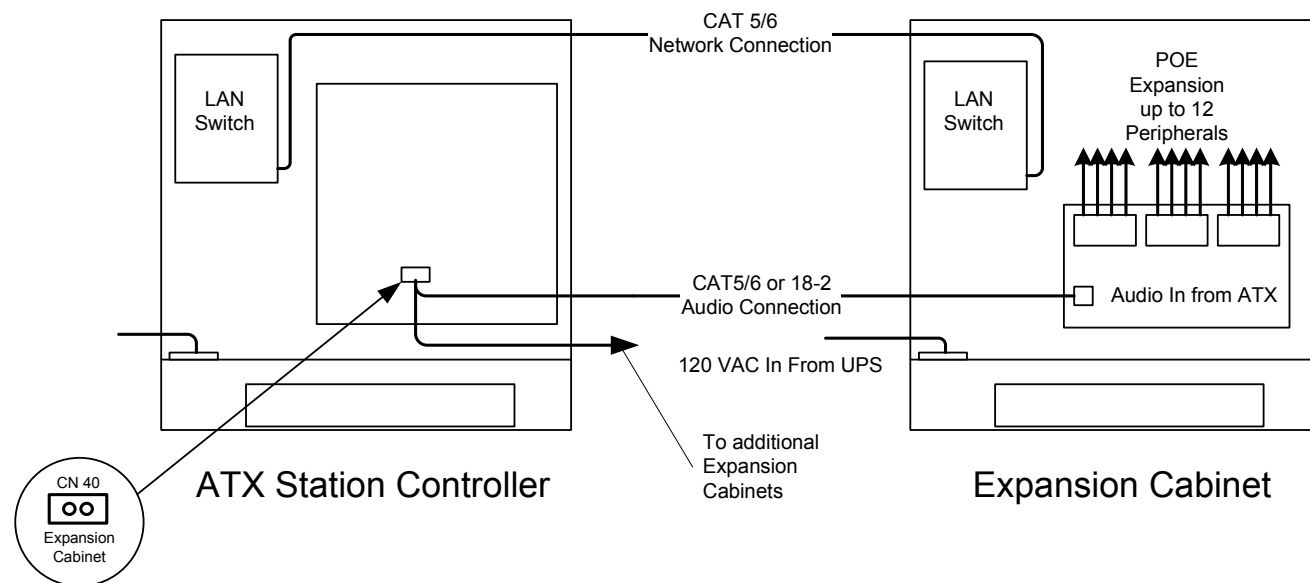


**Audio Input Connections – Voice Radio, Intercom, etc.**



Connect audio sources to Audio Inputs. Each input is 600 ohm with DC blocking and accepts a -20dBm to -3dBm signal. Input 3 is pre-configured as an intercom input.

**ATX to Expansion Cabinet Connections**



Connect an Expansion Panel to the ATX by connecting an Ethernet cable between the two LAN switches, and connecting an audio cable from the Expansion Cabinet output in the ATX to the Audio Input connector in the Expansion Panel. Multiple Expansion Panels are connected by paralleling the audio inputs.

